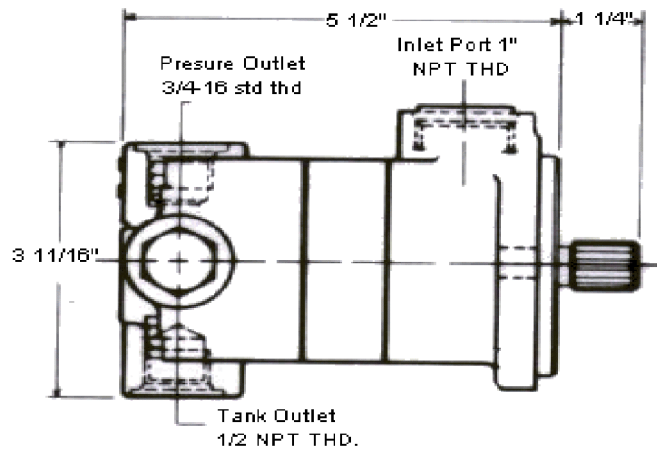
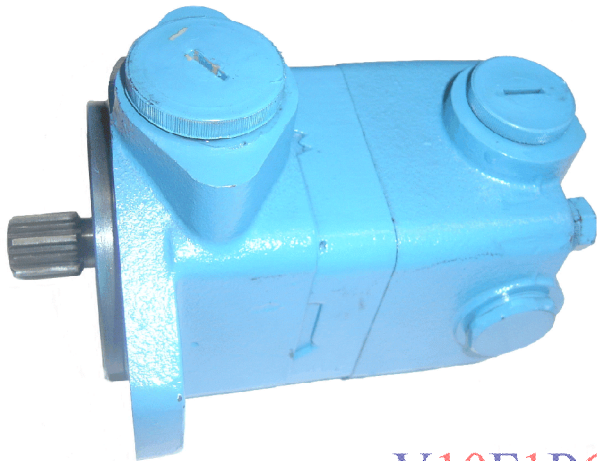


HEAVY DUTY TRUCK PARTS



V10F1P6P38C6G20

Vane Pump -V-

Series - 10

Cover

Flow Control Cover -F
Priority Valve Cover -P
Standard Cover - Omitted

Mounting

2 Bolts Flange (SAE "A" Size)-1
Foot Bracket at 12 O'clock-2
(viewed from the shaft end)
Foot Bracket at 3 O'Clock-23
Foot Bracket at 6 O'Clock-26
Foot Bracket at 9 O'Clock-29

Inlet Port Connections

1.156 Dis. Port-F
1 in. O.D. Tube Connctcion-H
1 5/16-12 un 2b Thd.-K
1 Inch NPT-P
1 5/16-12 Straight Thd.-S
1 3/16-12 Straight Thd.-T

Ring Capacity USGPM

1,200RPM -100 PSI (V10)
1 USGPM-1
2 USGPM-2
3 USGPM-3
4 USGPM-4
5 USGPM-5
6 USGPM-6
7 USGPM-7

Design & Modification

20- V10F
20-V10NF
10-V10P

Pressure Setting

A-250 PSI	F-1,500 PSI
B-500 PSI	G-1,700 PSI
C-750 PSI	H-2,000 PSI
D-1,000 PSI	J-2,250 PSI
E-1,250 PSI	K-2,500 PSI

Flow Rate Thru Orifice in Cover-USGPM

1-1 USGPM (V10P0)	5-(V10F Only)
2-2 usgpm (V10F)	6-6
3-3 (V10F Only)	7-7 (V10F Only)
4-4	8-8 (V10F Only)

Pressure Port Positions (View from cover end)

A-Opposite Inlet Connection
B-90 Counterclockwise from Inlet Connection
C-Inlet with Inlet
D-90 Clockwise from Inlet Connection

Shaft

1-Straight-Keyed	12-Spline-13 tooth
3-Threaded	27-Tang
4-Threaded	34-Threaded
6-Str.Stub-Keyed	38-Spline-11 Tooth
11-Spline-9 Tooth	

Outlet Port Connection

Standar Cover

K - - - - -
P 1/2 in. NPT Thd.
S 3/4-16 St. Thd.
T - - - - -

Pressure

-
3/4-16St. Thd.
-
3/4-16 St. Thd.

Tank

-
1/2 in. NPT Thd.
-
3/4-16 St. Thd.